

## Lug Butterfly Valve

**AW22/2****DN350 - DN600 (EPDM)****PN16**

The Lug Butterfly Valve is available with various disc and seat materials for a wide range of applications. It should be installed with its shaft horizontal, lower edge of the disc opening downstream.

### Technical Details

**Face to Face in accordance to:**

EN 558-1 Series 20

**Maximum Working Pressure PFA:**

16 bar / PN16

**Working temperature:**

EPDM maximum +90°C

NBR maximum +90°C on request

Viton maximum +150°C on request

**Construction complies to:**

EN 593, BS 5155, EN 12266-1

**Certification:**

Russian Certificate of Conformity, Hygienic Certificate PZH

**Flange Type:**

EN 1092-2 PN10 & PN16

**Connector type:**

accordance to EN ISO 5211

**Coating:**

300 µm FBE coating - RAL5015

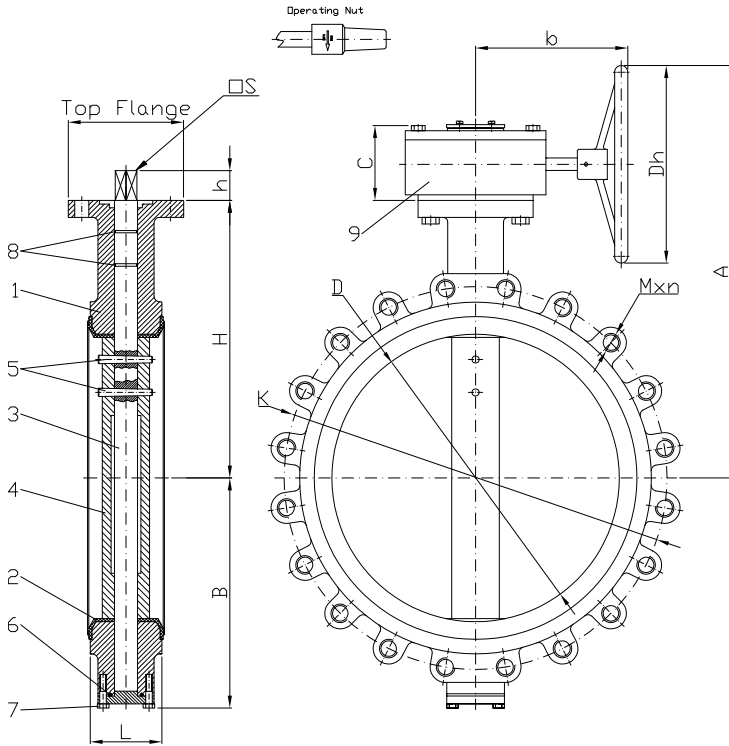
**Application:**

Installation for water, potable water, irrigation water and other chemically inert fluids for flow closing

### Design features

- Polished disc edge for improved concentric sealing and lower torque
- Rubber liner is replaceable and fully isolates body and stem
- O-ring moulded in the liner eliminates the need for flange gasket
- Full threaded lugs allows end-of-line installation (rating reduced to 50%)
- Gearbox IP67 as standard (IP68 - optional).





No	Part Name	Material
1	Body	Ductile Iron EN-GJS-500-7
2	Liner	Elastomer EPDM
3	Shaft	Duplex Stainless Steel
4	Disc	Stainless Steel X5CrNiMo17-12-2 / 1.4401 / 316
5	Pin	Stainless Steel X5CrNiMo17-12-2 / 1.4401 / 316
6	O-ring	Elastomer NBR
7	Bolt	Stainless Steel A4-80 (SS316)
8	O-ring	Elastomer NBR
9	Gearbox	Components

**Dimension (mm & kg)**

Group	DN	350	400	450	500	600
AW22/2	PN16	BP010	BP011	BP012	BP013	BP014
L		78	88	109	127	154
H		368	400	422	480	562
h		45	45	45	45	45
B		280	310	340	388	450
A		565	660	682	730	812
K PN16		470	525	585	650	770
M x n PN16		M24x16	M27x16	M27x20	M30x20	M33x20
D		335,5	393,5	443,5	500,5	600,8
C		161	252	252	264	264
b		226	266	266	241	241
Dh		297	388	388	388	388
Stem Top Square □S		22	27	27	48	48
Top Flange ISO 5211		F12	F14	F14	F16	F16
Weight kg		81	120	135	180	233